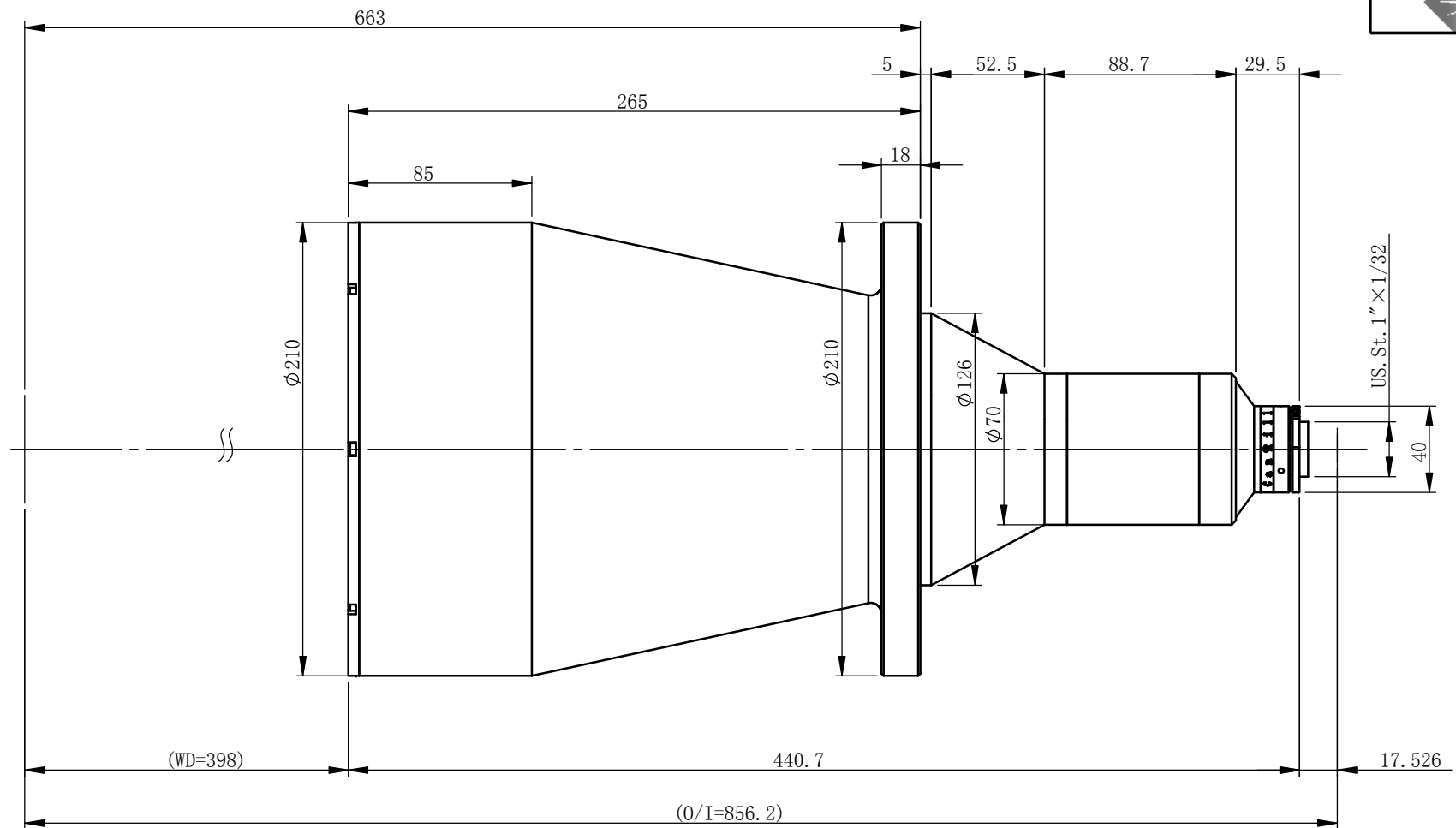


XF-PTL18208-C



Specification

Optical structure	Bi-Telecentric
Magnification	0.044
Object field of view	Φ181.8mm
Image field of view	Φ8mm
Working Distance	398mm±3%
Telecentricity	<0.04°(0.06°)
Depth of field	314.3mm
F#	F5.5
Resolution	82.71μm
MTF	>0.3@185lp/mm
Distortion	<0.096%(0.116%)
Detector type:	

1/2'	6.4×4.8	145.5×109.1mm
1/2.3'	6.2×4.6	140.9×104.5mm
1/2.5'	5.8×4.3	131.8×97.7mm
1/3'	4.8×3.6	109.1×81.8mm

XF-PTLAAABB-C/F/P/M- (L90E) - (VI)

The fourth generation lens of Canrill

The camera mount (M & P mount need specify BFL)

Variable aperture option

Object FOV

90° Steering option

Image FOV

Undefined tolerance (mm)	degree	File Name		
X. X	±0.2	±30min	XF-PTL18208-C-外形尺寸-EN	
X. XX	±0.02	Drawing Name		
X. XXX	±0.005	Drawing Size: A3		
	Sign	Data/Ver.	Material	Ratio
Design				1:5
Modify1			Qty	⊕
Modify2			Total:	Page: